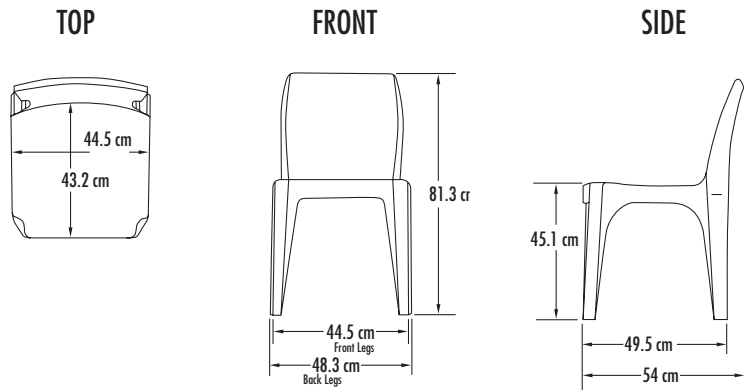


Model #: C110



### Overview

Multi-use stackable armless chair. Engineered and proven suitable for continuous daily use in an institutional environment. (Note: For safety reasons, chairs with open backs or arms, patio style, or residential quality chairs should not be used in an institutional environment).

### Fabrication:

One-piece injection molded, without steel or wood components. Made in the U.S.A.

### Material:

High impact grade copolymer polypropylene with FRPP5 Fire Retardant. Chemically resistant to acetone, alcohol, blood, vinegar, urine, feces, salt solution and chlorine solution.

### Flammability Test Standards:

Compliant with the following flammability standards:

- State of California, Technical Bulletin No. 133, Flammability Test Procedure for Seating Furniture for Use in Public Occupancies.
- NFPA 261 Cigarette Ignition Resistance of Upholstered Furniture
- Federal Aviation Administration Test 25.853 A & B, Appendix F, Part 1, 60 second gas burner ignition, material self-extinguishing & 12 second gas burner ignition, material self-extinguishing. (Note: Flammability tests reflect standardized laboratory test procedures and may not reflect results in actual fire conditions).

### Environmental Test Standards:



GREENGUARD and GREENGUARD Gold Certified by UL Environment. Product certified for low chemical emissions to UL 2818. [UL.COM/GG](http://UL.COM/GG).

Plastic is Recyclable #7

### Color:

Wild Berry, Meadow, Pine Cone, Mojave, Lagoon, River Rock, Canyon, Graphite, Sea Spray.

### Stacking:

15 chairs in 210.8 cm.

### Weight:

3 kg.

### Options:

3 wheel dolly.

### Assembly:

None required.

### Installation:

None required.

### Warranty:

5 year limited replacement warranty.

### Maintenance / Cleaning Procedures:



Recommend using Norix Cleaning Solutions, specifically formulated for extended care of Norix products. Clean, Restore and Protect with Norix's 1-2-3 Care System for Molded Furniture.

### Performance Test Standards:

- ISO 9001-1987: Quality certified manufacturer.

### Filing System:

12600 Institutional Furniture  
11197 Correctional Furniture