

VULCAN

MULTI-GYM

The VULCAN is all about getting down to business. Stripped of the creature comforts found in our other multigyms, it delivers pure functional exercise value, designed to get the job done efficiently and effectively.

Real Fitness Equipment for Real Results

The VULCAN Multigym brings the basics of indoor fitness equipment to the outdoors, engineered in a tamperproof, weatherproof, and durable design.

Compact, cost-effective, and completely safe with no moving parts, instructional placards, or rubber, the VULCAN is built to accommodate all fitness levels and abilities.



 **TAMPERPROOF.**  **WEATHERPROOF.**  **SAFE.**

ABSOLUTELY NO MOVING PARTS

The VULCAN is designed with zero moving parts, delivering the same exercises and features as the Spartan Multigym, but without the added creature comforts. This streamlined, "no-frills" multigym offers exceptional value, making it an ideal choice for any budget without compromising user experience.

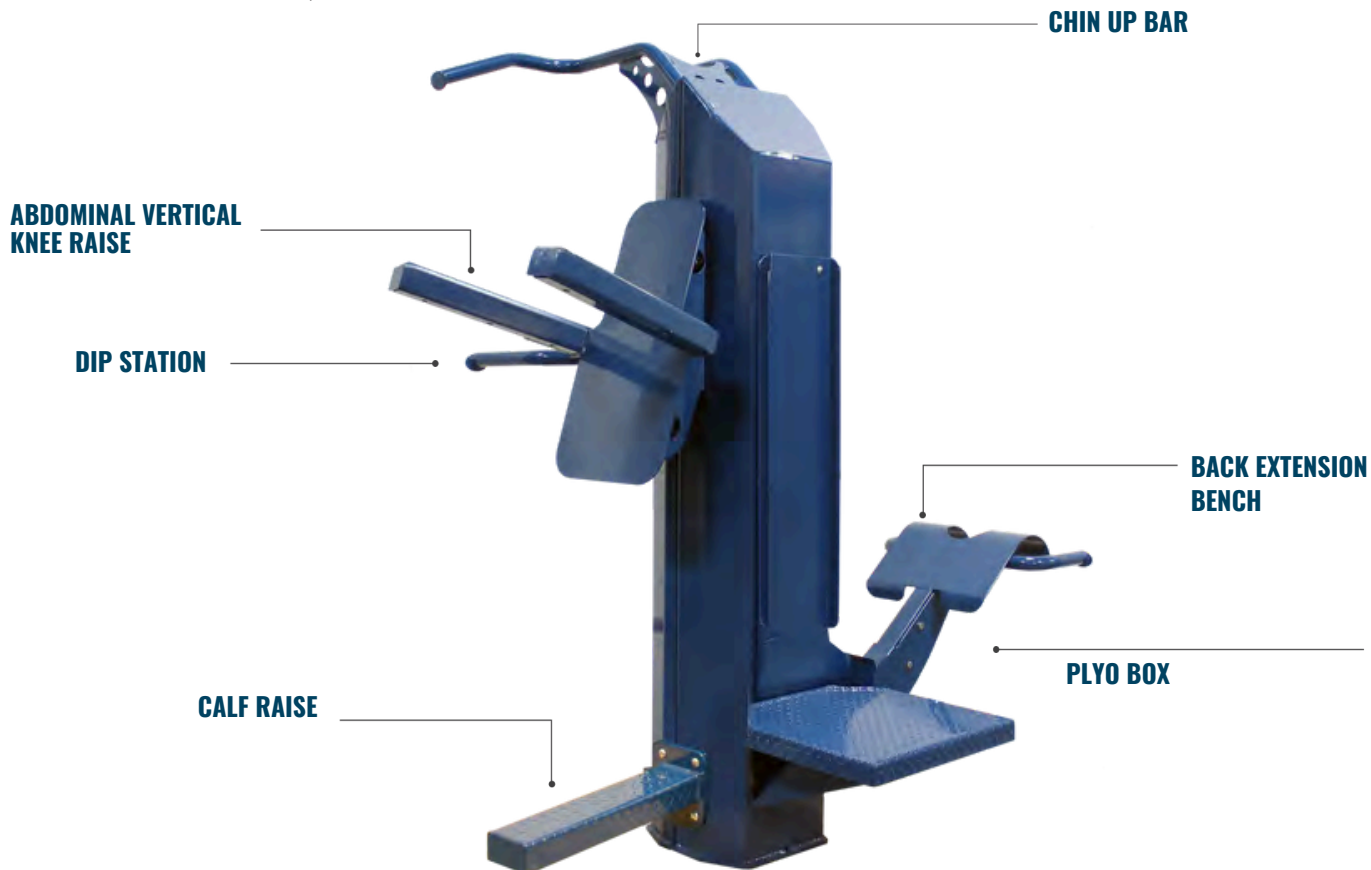
24+ DIFFERENT EXERCISES

The VULCAN is engineered to deliver over 24 exercises. Featuring an adjustable back extension and functional fitness stations, including a 16" plyo box, it caters to users of all fitness levels and abilities.

MAINTENANCE FREE

The VULCAN is built to last, requiring absolutely no maintenance thanks to its durable, tamperproof, and weatherproof design. Engineered with longevity in mind, it comes with a 15-year warranty, giving you peace of mind and unmatched reliability.

The VULCAN is built to maximize indoor or outdoor exercise areas, with more than 24 exercises available:



TECHNICAL SPECIFICATIONS

- Width:** 80" / 204 cm
- Length:** 65" / 166 cm
- Height:** 85" / 216 cm
- Weight:** 620 lbs / 282 kg
- Fall Height:** 84" / 213cm
- Use Zone:** 12'8" x 11'9"
- Shipping Weight:** 585 lbs / 265 kg
- Shipping Dimensions:** 44" wide x 45" long x 85" high / 112 cm wide x 122 cm long x 216 cm high



Instructional Placards: None **Frame:** Constructed of 3/16" and 1/4" thick heavy-duty steel.

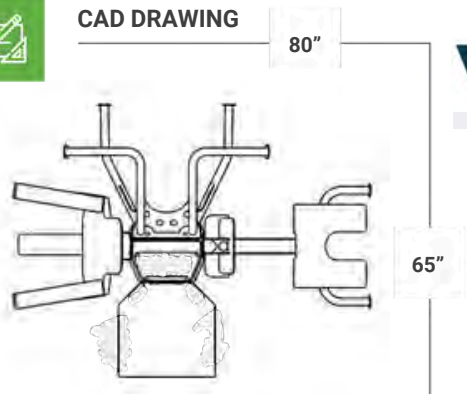
All fasteners are tamperproof stainless steel carriage bolts with a smooth, rounded head and square neck. The locking nuts are shielded behind a padlocked access hatch.

Finish:

- All parts have surfaces prepped and cleaned of all mill scale, rust, oils, and dirt using shot blast and/or chemical wash.
- Primer coat is applied with epoxy zinc-rich primer (3-4 mil thickness) and cured in oven.
- Primer designed for superior rust protection. Tested for 3000 hours of salt spray resistance.
- Top finish coat is applied with TGIC-FREE weather-resistant polyester powder (3-4 mil thickness) and cured in oven.
- Tested for 1500 hours of salt spray resistance.
- All parts inspected to be free of paint defects prior to shipping.



CAD DRAWING



Accessibility: It is the manufacturers' opinion that the Vulcan Multigym conforms to the A.D.A. accessibility standard, assuming an accessible protective surfacing is provided or within the entire use zone.